

Bathroom Accessories 100 Series





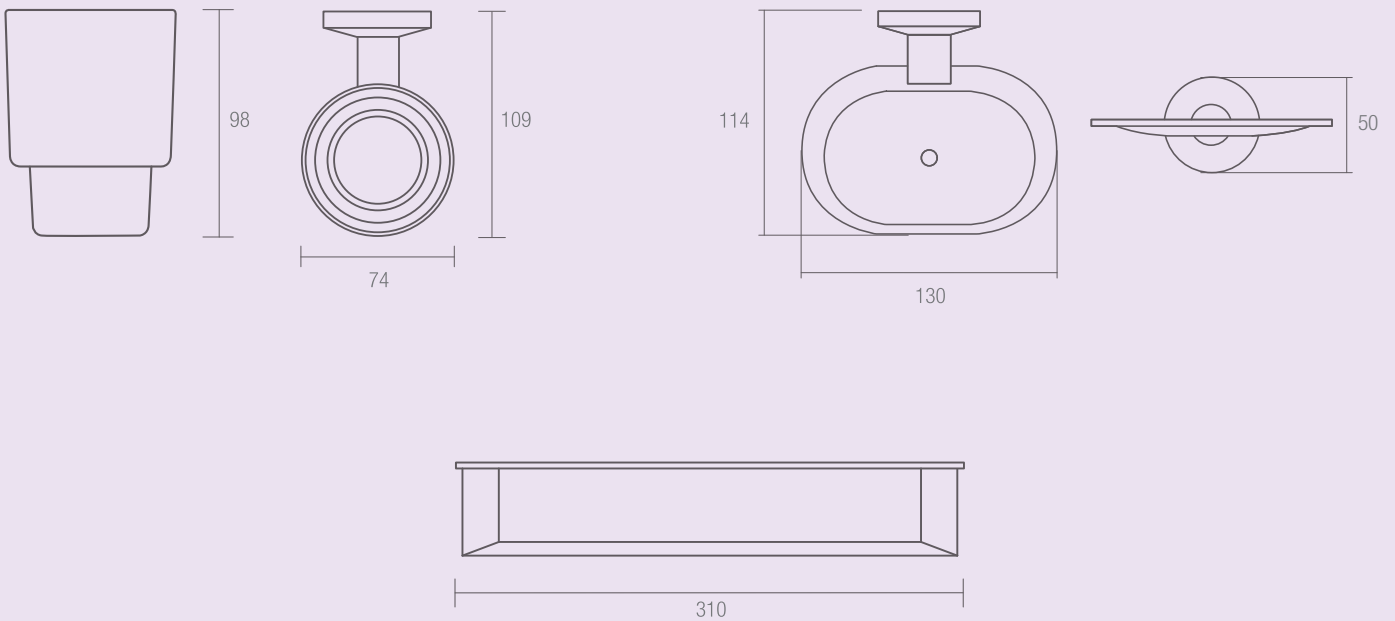
BA 100 C - Tumbler Holder
Chrome/Frosted Glass Tumbler

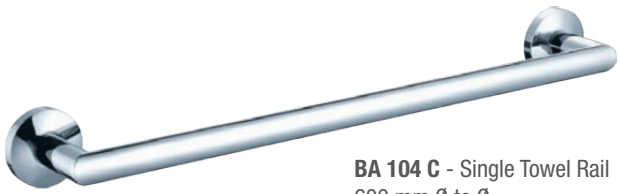


BA 101 C - Soap Holder
Chrome



BA 111 C - Hand Towel Rail
280 mm Ø to Ø
Chrome





BA 104 C - Single Towel Rail
600 mm Ø to Ø
Chrome

BA 105 C - Single Towel Rail
750 mm Ø to Ø
Chrome

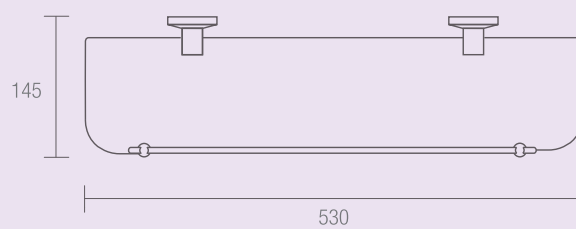
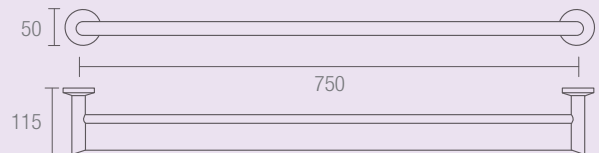
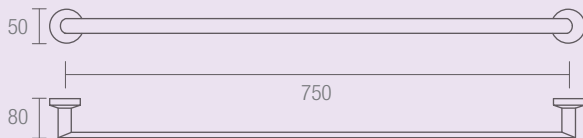
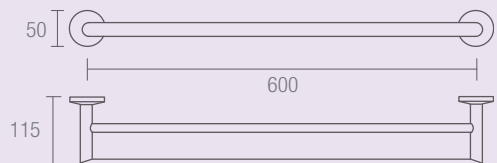
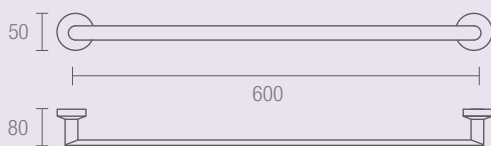


BA 106 C - Double Towel Rail
600 mm Ø to Ø
Chrome

BA 107 C - Double Towel Rail
750 mm Ø to Ø
Chrome



BA 108 C - Glass Shelf
530 mm x 10 mm
Clear Tempered Glass Shelf

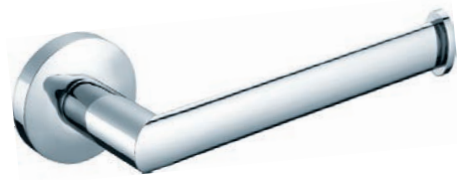




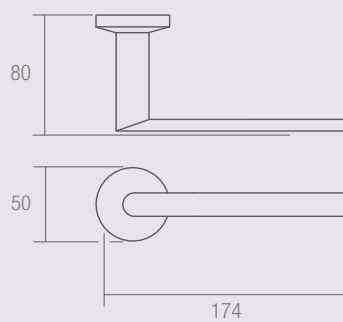
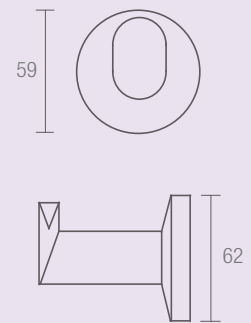
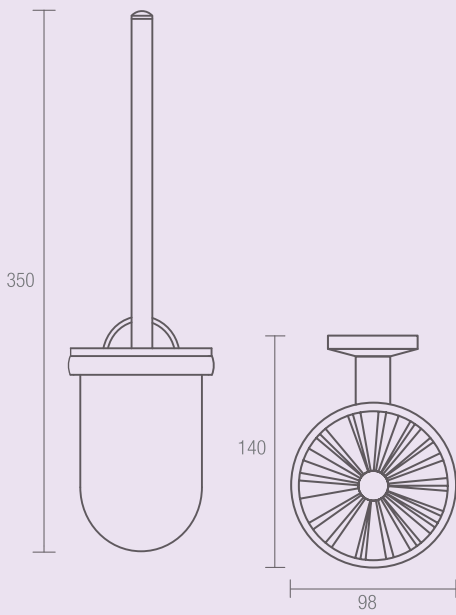
BA 114 C - Toilet Brush Holder
Chrome/Frosted Glass Bowl



BA 115 C - Single Robe Hook
Chrome



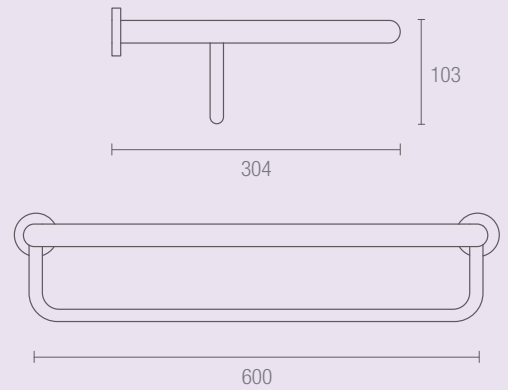
BA 112 C - Paper Holder
Chrome



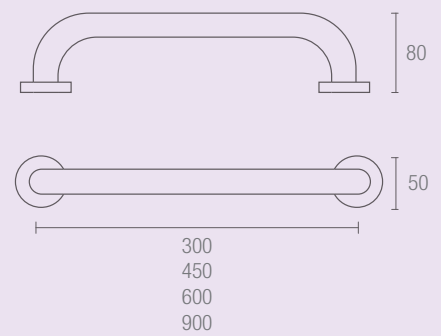
A glimpse of the Comfort Collection



CR 022 C - Bath Towel Shelf
600 mm Ø to Ø
Chrome

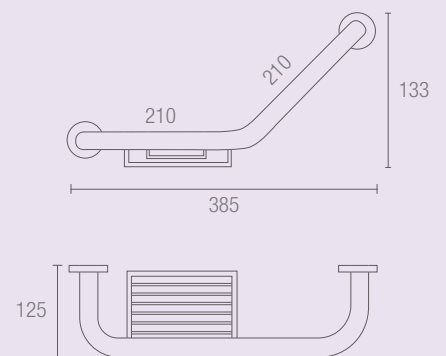


CR 300 C - Comfort Rail 300 mm
CR 450 C - Comfort Rail 450 mm
CR 600 C - Comfort Rail 600 mm
CR 900 C - Comfort Rail 900 mm
All measurements above are Ø to Ø.
Chrome

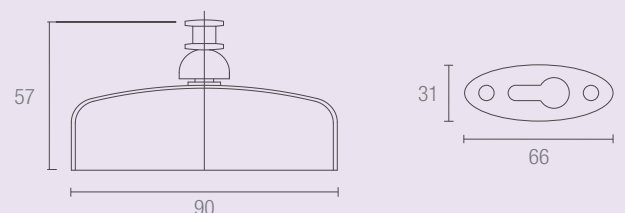


CR 036 C - Ramped Comfort Rail
with Soap Basket
Chrome

Suitable for either left or right hand installation.



BA 782 C - Clothes Line
2750 mm maximum cord extension
Chrome





Protecting the world's most valuable liquid asset... water!

Our Promise

Con-Serv Corporation Australia Pty Ltd warrants all of its products with a Limited Lifetime Warranty on all mechanical parts from manufacturing defects in materials and workmanship under normal use in a domestic installation for as long as the original purchaser owns their home into which the particular product(s) was/were installed. A five-year warranty will apply to commercial installations, irrespective of ownership. Con-Serv will repair or replace defective items correctly installed as per the Con-Serv installation instructions. Con-Serv will not be liable for defects arising through normal wear and tear. Item(s) must be returned with proof of purchase to Con-Serv at 17 Glentanna Street, Kedron, Queensland 4031. We will attend to your warranty claim after we make appropriate investigations. Contact our Service Manager during normal office hours on 1300 467 322 or at our email address of warranty@con-serv.com.au. If a warranty claim is accepted, Con-Serv will bear the reasonable costs of the return of the defective item(s) to us. A claim for expenses associated with making a claim for a defective product must be in writing and submitted to us with copies of supporting documents. The benefits given under our warranty are in addition to other rights and remedies of the customer under a law in relation to goods and services to which this warranty relates. Our goods come with guarantees that cannot be excluded under the Australian Consumer Law. You are entitled to a replacement or a refund for a major failure and compensation for any other reasonable, foreseeable loss or damage. You are also entitled to have the goods repaired or replaced if the goods fail to be of acceptable quality and the failure does not amount to a major failure. Visit the Con-Serv website www.con-serv.com.au for the detailed warranty policy.

CON-SERV CORPORATION AUSTRALIA PTY. LTD.
17 Glentanna Street, Kedron Brisbane QLD. 4031 Australia
Phone: +61 (0)7 3630 5744 · Fax: +61 (7) 3630 5755
Email: mail@con-serv.com.au · www.con-serv.com.au