



# Home & Healthcare Brochure



*Independence with style*

# Introducing Con-Serv

## Versatile. Enduring. Inspiring.

Open your eyes to a world of water saving sophistication with Con-Serv products that offer intrinsic quality born of over 30 years experience in water conservation and design. Skills combined with innovative techniques and leading designs establish the enduring character for which Con-Serv is known. There is no substitute for the reliable performance or the authentic beauty of our lustre finishes that are remarkably resistant to scratching, corrosion and tarnishing. Con-Serv specialises in the design, manufacture and supply of bathroom, healthcare and plumbing products for domestic and commercial environments.

## Saving Australia's Water

All Con-Serv handheld showers are 3 Star - 9L/min rated under the Water Efficiency Labelling and Standards (WELS) Scheme as per licence number 0046.

## Our Promise

Con-Serv Corporation Australia Pty Ltd warrants all of its products (as below) with a Limited Lifetime Warranty on all mechanical parts from manufacturing defects in materials and workmanship under normal use in a domestic installation for as long as the original purchaser owns their home into which the particular product(s) was/were installed. A five year warranty (also on the terms below) will apply to commercial installations, irrespective of ownership.

Con-Serv will repair or replace defective items correctly installed as per the Con-Serv installation instructions. Con-Serv will not be liable for defects arising through normal wear and tear. Item(s) must be returned with proof of purchase to Con-Serv at 17 Glentanna Street, Kedron, Queensland 4031. We will attend to your warranty claim after we make appropriate investigations. Contact our Service Manager during normal office hours on 1300 467 322 or at our email address of [warranty@con-serv.com.au](mailto:warranty@con-serv.com.au). If a warranty claim is accepted, Con-Serv will bear the reasonable costs of the return of the defective item(s) to us. A claim for expenses associated with making a claim for a defective product must be in writing and submitted to us with copies of supporting documents. The benefits given under our warranty are in addition to other rights and remedies of the customer under a law in relation to goods and services to which this warranty relates. Our goods come with guarantees that cannot be excluded under the Australian Consumer Law. You are entitled to a replacement or a refund for a major failure and compensation for any other reasonable foreseeable loss or damage. You are also entitled to have the goods repaired or replaced if the goods fail to be of acceptable quality and the failure does not amount to a major failure. Visit the Con-Serv website [www.con-serv.com.au](http://www.con-serv.com.au) for the detailed warranty policy.







Streamjet™ XL Turbo Pulsator



Finishes

Chrome

White

Matte Black



Streamjet™ XL



Streamjet™ Turbo Pulsator



Streamjet™



Princess



Breeze Pulsator



Hosfab®



## Mix & Match

At Con-Serv we believe in giving you the flexibility to create a shower to suit your lifestyle. The choice of handheld shower, colour and hose length are yours!

### Pick a finish ... pick a colour!

Choose from chrome, white or matte black finish. All finishes and colours shown are only approximations.

### Choose your handheld shower!

With seven handpieces to choose from, we have the perfect solution to suit your bathroom decor and spray preference.

### Select your hose length!

From 1.5m to any length required, you can specify the right hose to meet your needs.





# Healthcare Showers

Con-Serv Hosfab® Shower Kits are a result of over twenty years designing innovative showering solutions for individuals that need extra assistance. Utilising premium Hygienic Seal® technology, our Healthcare Kits combine our industry leading grab rails and water saving showers for a AS 1428.1-2009 compliant healthcare solution suitable for home and commercial applications.

**GS 071T**  
Streamjet™  
Turbo Pulsator  
700mm x 1100mm  
Chrome

Middle fix model shown.



**GS 071J**  
Streamjet™  
700mm x 1100mm  
Chrome

Right hand model shown.



**GS 071S**  
Streamjet™ XL  
Turbo Pulsator  
700mm x 1100mm  
Chrome

Left hand model shown.



Glide Slide



**GS 900X**  
Streamjet™ XL  
900mm  
Chrome

# Home Care Hosfab®

Available with a straight or inverted "T" grab rail, GS Kits meet the strength requirements of AS 1428.1-2009. All GS Kits include a Hygienic Seal® grab rail, ABS Glide Slide handset holder for shower support and movement, handpiece of your choice, 1.5m length Silverflex® hose with brass end nuts and a licenced dual check elbow. The available handpiece options for GS Kits are Streamjet™ XL Turbo Pulsator, Streamjet™ XL, Streamjet™ Turbo Pulsator, Streamjet™, Princess, Breeze Pulsator or Hosfab®. Con-Serv handheld showers are 3 Star - 9L/min rated as per WELS licence number 0046.



## Premium Hosfab®

Available with a straight, inverted "T" or corner grab rail, GB Kits meet the strength requirements of AS 1428.1-2009. All GB Kits include a Hygienic Seal® grab rail, 700mm friction slide track with "C" hook cradle for handheld shower support and movement, handpiece of your choice, Glide Slide soap dish, 1.5m length Silverflex® hose with brass end nuts and a licenced dual check brass elbow. The available handpiece options for GB Kits are Streamjet™ XL Turbo Pulsator, Streamjet™ XL, Streamjet™ Turbo Pulsator, Streamjet™, Princess, Breeze Pulsator or Hosfab®. Con-Serv handheld showers are 3 Star - 9L/min rated as per WELS licence number 0046.



**GB 900P**  
Princess  
900mm Ø to Ø  
Chrome



"C" Hook Cradle

**GB 071J**  
Streamjet™  
700mm x 1100mm  
Chrome

Left hand model shown.



**GB 711Z**  
Breeze Pulsator  
760mm x 1000mm x 1100mm  
Chrome

Left hand model shown.



# PWD Independent Hosfab®

PWD Independent Kits meet the strength and design requirements of AS 1428.1-2009. All PWD Independent Kits include a Hygienic Seal® grab rail, friction slide with "C" hook cradle for handheld shower support and movement, Push-PullMe® rod, Hosfab® handpiece, 1.5m length Silverflex® reinforced hose with brass end nuts and a licenced dual check elbow. Adults and children can easily adjust a shower while standing or seated with the Con-Serv Push-PullMe® shower positioning rod. Hosfab® handheld showers provide a full body spray and are 3 Star - 9L/min rated as per WELS licence number 0046.



**ID 01803**  
Hosfab® Kit 3  
1000mm Ø to Ø  
Chrome



Push-PullMe® Rod



**ID 01820**  
Hosfab® Kit 20  
700mm x 1100mm  
Chrome

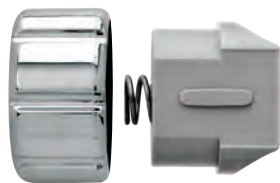
Right hand model shown.



**ID 01821**  
Hosfab® Kit 21  
1170mm x 1100mm  
Chrome

Left hand model shown.





## Glide Slide Family

The Glide Slide Family consists of a soap holder, handset cradle and toilet roll holder specially designed for use with 32mm grab rails. Each accessory is easy to attach and remove offering unlimited configurations.



**HC 024**  
Handset Cradle  
Grey/Chrome



**SD 032**  
Soap Holder  
Grey/Chrome



**TR 031**  
Toilet Roll Holder  
Grey/Chrome

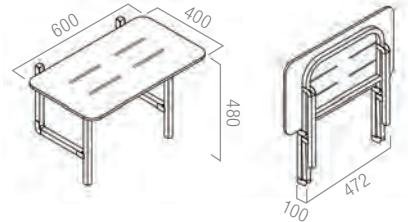


# Folding Shower Seats

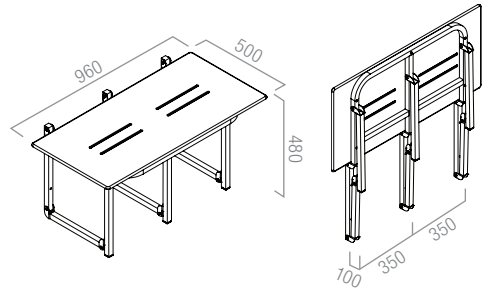
When safety in the shower is paramount, Con-Serv shower seats are the industry recognised solution with rounded edges and seats that are foldable, self-draining and non-slip. Manufactured from grade 304 stainless steel, with white high density Polyethylene (HDPE) seat top and assembled with anti-drop tension hinges ensuring stability up to 160kg for our standard shower seats, and up to 200kg for our Bariatric shower seat. While Con-Serv offers all the styles shown below seats can be manufactured to requested specifications.



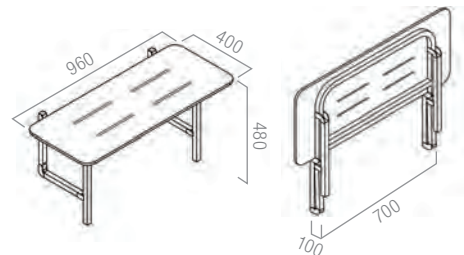
**SS 604**  
600mm x 400mm  
Max Load: 160kg (25 Stone)  
White Seat/Stainless Steel Frame



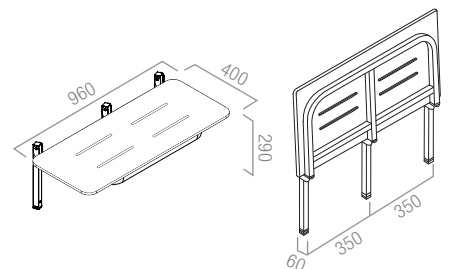
**SS 965**  
Bariatric 960mm x 500mm  
Max Load: 200kg (32 Stone)  
White Seat/Stainless Steel Frame



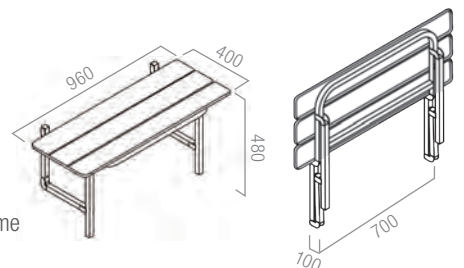
**SS 964**  
960mm x 400mm  
Max Load: 160kg (25 Stone)  
White Seat/Stainless Steel Frame  
AS 1428.1-2009 Compliant



**SS 964 WM**  
Wheel Chair Transfer 960mm x 400mm  
Max Load: 160kg (25 Stone)  
White Seat/Stainless Steel Frame  
AS 1428.1-2009 Compliant



**SS 964 ME**  
960mm x 400mm  
Max Load: 160kg (25 Stone)  
White Powder Coated Stainless Steel Frame  
AS 1428.1-2009 Compliant



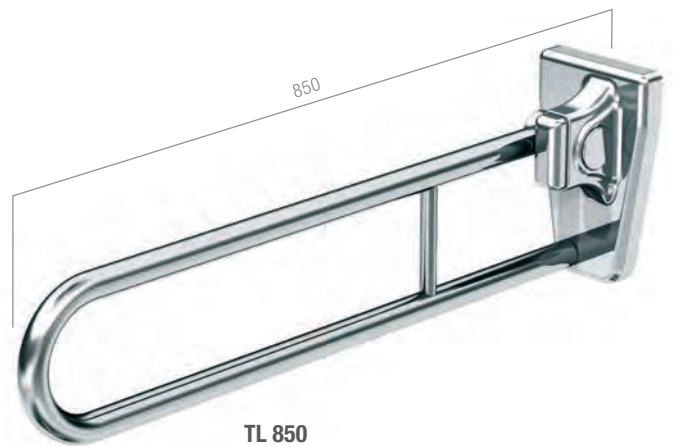


**HS 761**  
760mm x 1000mm

Left hand model shown.

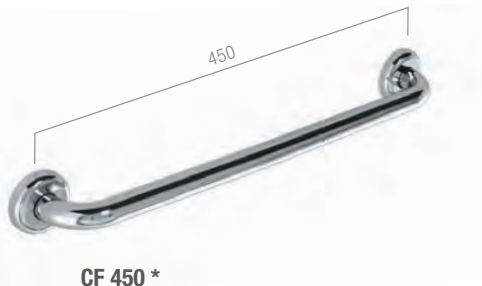
## Assorted Grab Rails

In keeping with Con-Serv's focus in its home and healthcare collection of **Independence with Style**, Con-Serv has a range of assorted grab rails with optional flange covers, finishes and sizes for a custom grab rail to meet your needs. Con-Serv offer a large selection of grab rails for vertical or horizontal positioning with optional folding and locking capabilities to complete its comprehensive range. All assorted grab rails meet the strength requirements of AS 1428.1-2009 and are available in a range of finishes<sup>^</sup> including Satin Supreme™, Polish Supreme™, Diamond Shur-Grip®, Matte Black or White.

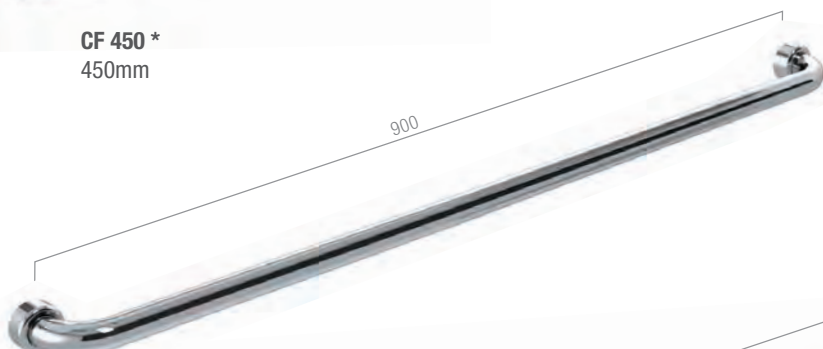


**TL 850**  
Tiltlock® Fold Down Grab Rail  
850mm

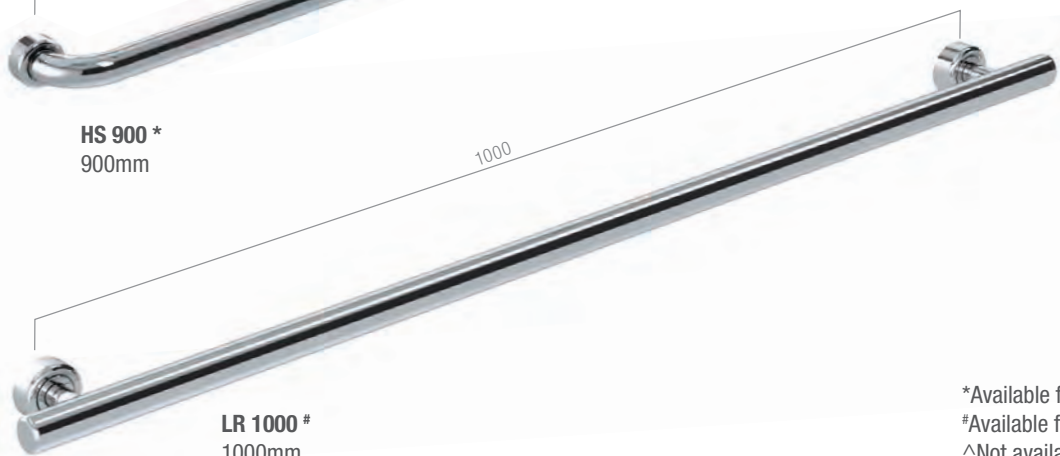
Right hand model shown.



**CF 450 \***  
450mm



**HS 900 \***  
900mm



**LR 1000 #**  
1000mm

\*Available from 300mm to 1200mm.

#Available from 200mm to 1000mm.

^Not available for all grab rails.

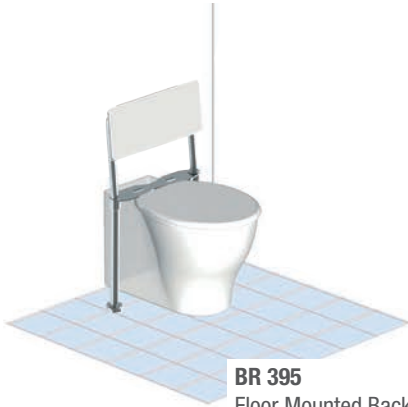


# Safe-Assist® Backrest

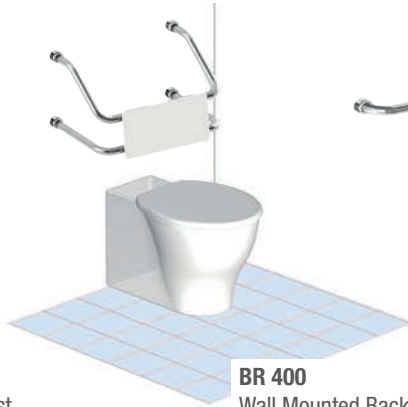
Safe-Assist® Backrest support for single toilet suites and combined PWD sanitary compartments.

Robust designed 32mm grade 304 stainless steel backrest. Fabricated with a choice of 78mm domed Clam Flange® or 50mm Hygienic Seal® flange cover. Safe-Assist® Backrests feature a 97° tamperproof, sanitary safe, Polar White, UV stabilised High Density Polyethylene (HDPE) rounded edge back support.

Complies as per the requirements of AS 1428.1-2009 section 15.2.4-Backrest.



**BR 395**  
Floor Mounted Backrest



**BR 400**  
Wall Mounted Backrest

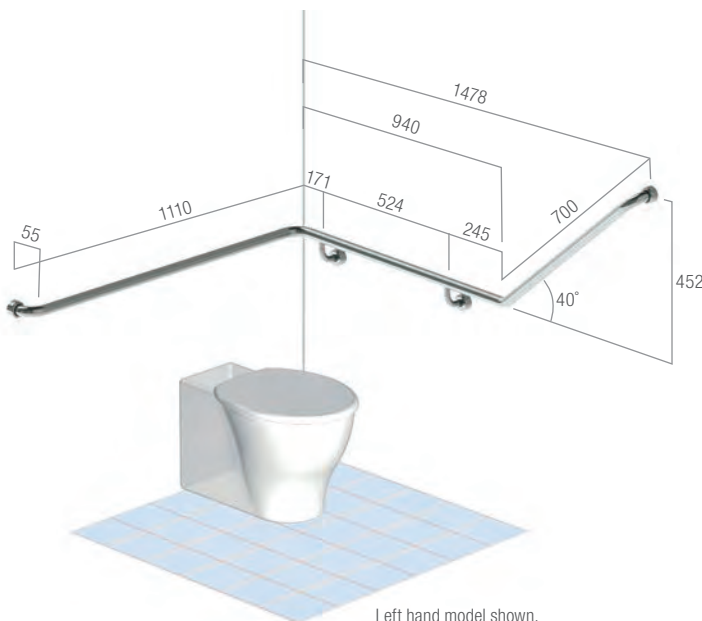


**BR 440**  
Wall Mounted Backrest  
with 400mm extension

SUITABILITY GUIDE	BR 395	BR 400	BR 440
Sanitary Compartment with Conventional Pan	•	•	•
Sanitary Compartment with Wall Faced Pan		•	•
Sanitary Compartment with Shower and Conventional Pan	•	•	
Sanitary Compartment with Shower and Wall Faced Pan		•	

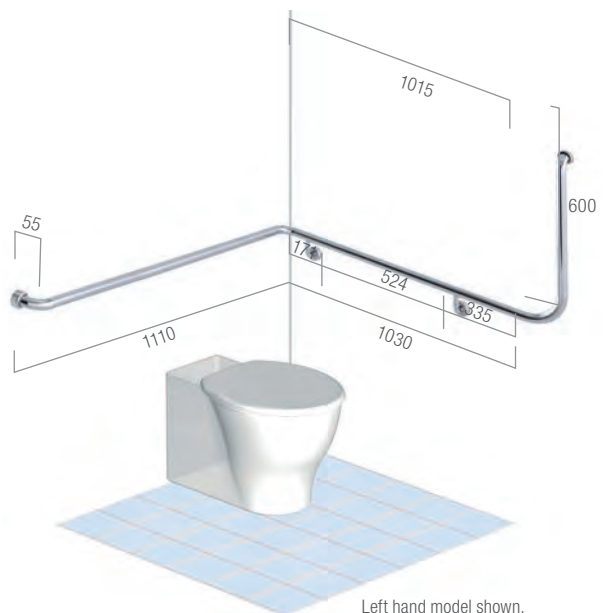
# Safe-Assist® Grab Rails - 32mm

In keeping with Con-Serv's focus in its home and healthcare collection of **Independence with Style**, all toilet assist grab rails are manufactured with Hygienic Seal® flanges to help protect against grime build-up. Toilet assist grab rails meet the strength requirements of AS 1428.1-2009 and are available in a range of finishes including Satin Supreme™, Polish Supreme™, Diamond Shur-Grip®, Matte Black or White.



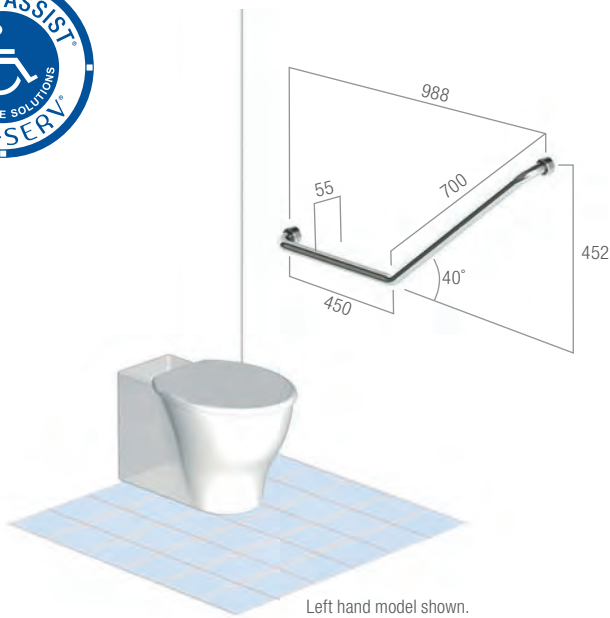
Left hand model shown.  
Suits Backrest installation.

**HS 197**  
1110mm x 940mm x 700mm  
Type: For Concealed Cisterns



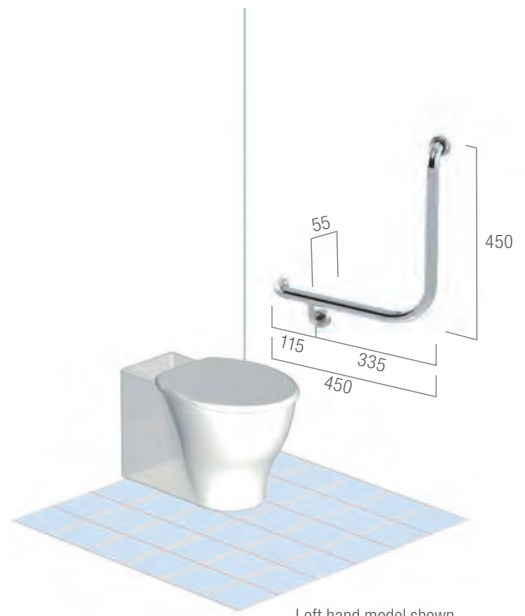
Left hand model shown.  
Suits Backrest installation.

**HS 116**  
1110mm x 1030mm x 600mm  
Type: For Concealed Cisterns



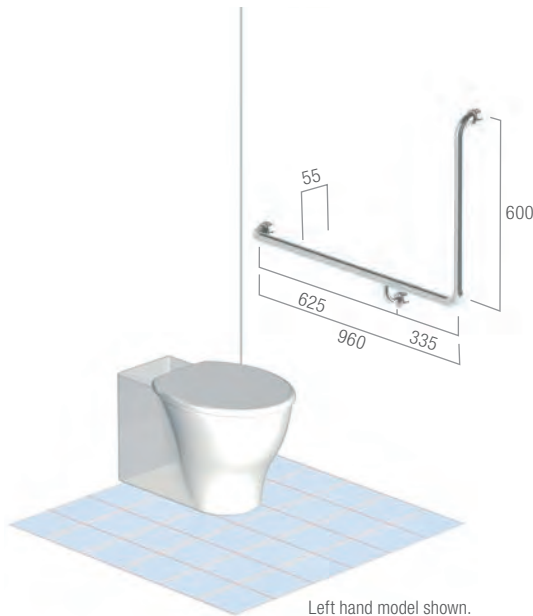
Left hand model shown.

**HS 457**  
450mm x 700mm



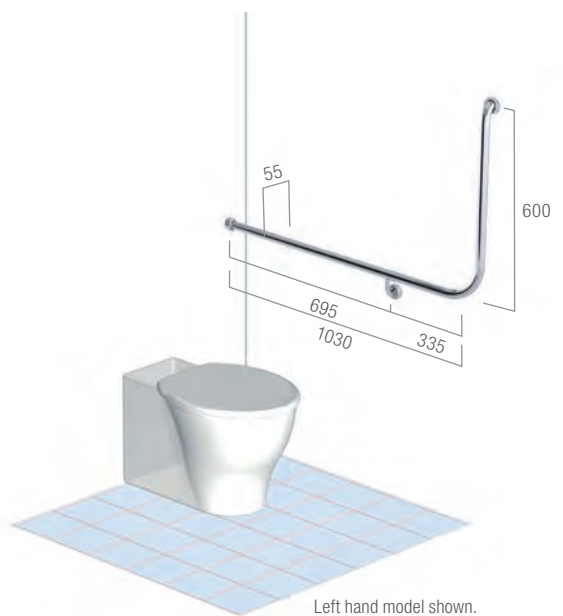
Left hand model shown.

**HS 454**  
450mm x 450mm



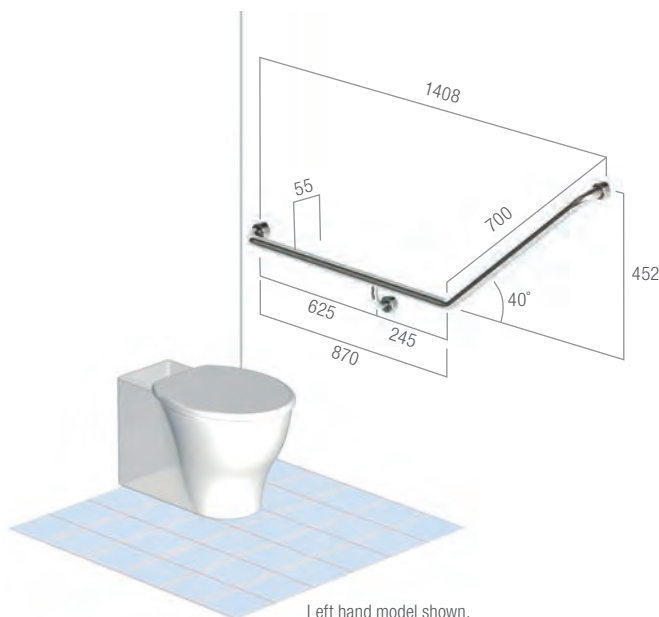
Left hand model shown.

**HS 966**  
960mm x 600mm



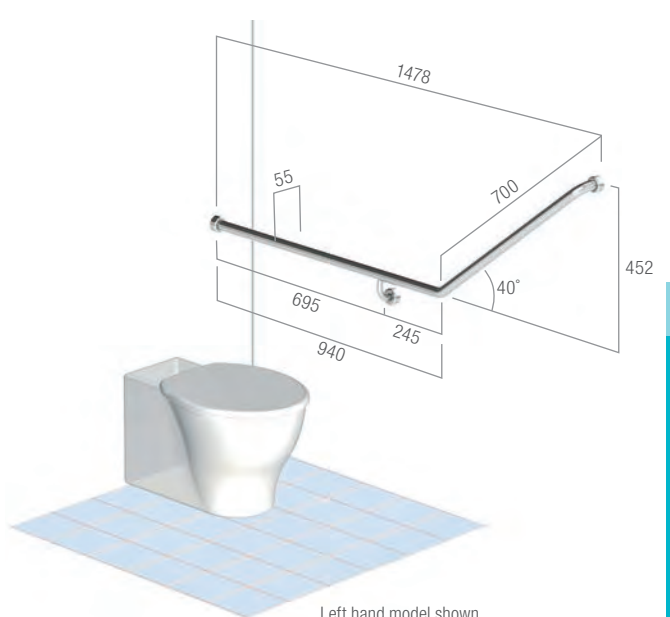
Left hand model shown.

**HS 106**  
1030mm x 600mm



Left hand model shown.

**HS 877**  
870mm x 700mm



Left hand model shown.

**HS 947**  
940mm x 700mm

# Comfort Showers

The 25mm comfort showers form and detail embody functional yet modern designs ensuring a safe, sturdy and long lasting shower. All Comfort Kits include a 600mm x 25mm brass comfort rail with brass slider and cradle for handheld shower support and movement, handpiece of your choice, 1.5m length Silverflex® hose with brass end nuts and a licenced dual check elbow. The available handpiece options for Comfort Kits are Streamjet™ XL Turbo Pulsator, Streamjet™ XL, Streamjet™ Turbo Pulsator, Streamjet™, Princess or Breeze Pulsator. Con-Serv handheld showers are 3 Star - 9L/min rated as per WELS licence number 0046.



**HS 014S**  
Streamjet™ XL  
Turbo Pulsator  
Chrome

## Optional Handpieces



Streamjet™ XL  
Turbo Pulsator



Streamjet™ XL



Streamjet™  
Turbo Pulsator



Streamjet™



Princess



Breeze Pulsator



**BA 701**  
Soap Holder  
Chrome



**BA 742**  
Soap Dispenser  
Chrome



**BA 715**  
Double Robe Hook  
Chrome



**BA 782**  
Clothes Line  
Chrome

## Comfort Collection

The Comfort Collection is our most popular range of Con-Serv accessories. The sleek European designs are a reflection of modern trends with clean, taut lines. Simple geometric forms with rounded edges enhance the aesthetics while ensuring safety. Crafted from brass and finished in chrome, you can be assured of long lasting looks and durability. This comprehensive collection is ideally suited to domestic and commercial environments.



**CR 300** Comfort Rail 300mm  
**CR 450** Comfort Rail 450mm  
**CR 600** Comfort Rail 600mm  
**CR 900** Comfort Rail 900mm  
All measurements above are Ø to Ø.  
Polish Supreme



**BA 703**  
Towel Ring  
Chrome



**BA 712**  
Toilet Paper Holder  
Chrome



**BA 750**  
Toilet Brush Holder  
Chrome



**BA 722**  
Double Toilet Paper Holder  
Chrome



**BA 721**  
Spare Paper Holder  
Chrome



**BA 780**  
Dual Sided Mirror  
Standard and 3x Magnification  
Chrome



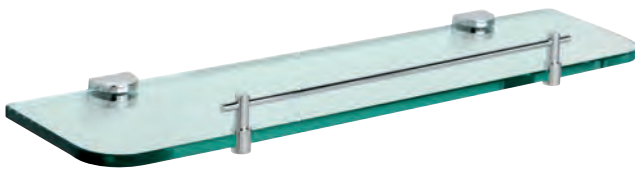


**BA 708**  
Stainless Steel Shelf  
500mm Ø to Ø  
Polish Supreme

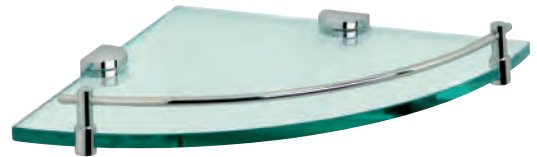


**BA 718**  
Stainless Steel Corner Shelf  
280mm x 280mm  
Polish Supreme

**BA 710**  
Stainless Steel Shelf  
350mm Ø to Ø  
Polish Supreme



**BA 729**  
Glass Vanity Shelf  
530mm x 120mm, 10mm glass  
Clear Tempered Glass Shelf



**BA 739**  
260mm x 260mm, 10mm glass  
Corner Glass Shelf with Barrier



**BA 704**  
Single Towel Rail  
600mm Ø to Ø  
Chrome



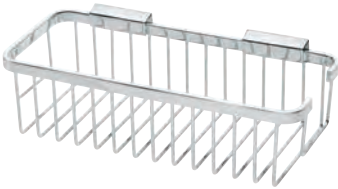
**BA 706**  
Double Towel Rail  
600mm Ø to Ø  
Chrome

**BA 705**  
Single Towel Rail  
800mm Ø to Ø  
Chrome

**BA 707**  
Double Towel Rail  
800mm Ø to Ø  
Chrome

# Bathroom Baskets

Con-Serv bathroom baskets are manufactured from heavy duty chrome plated brass and include innovative concealed fixings.



**WB 001**  
Rectangular Basket  
Large  
Chrome



**WB 002**  
Rectangular Basket  
Medium  
Chrome



**WB 004**  
Open Front Rectangular Basket  
Medium  
Chrome



**WB 005**  
Open Front Rectangular Basket  
Small  
Chrome



**WB 006**  
Corner Basket With Hook  
Chrome

Wall Mounting Bracket



**WB 008**  
Corner Basket  
Medium  
Chrome



**BB 011**  
Bathroom Basket  
Large  
Chrome



**BB 017**  
Bathroom Basket  
Large  
Chrome





Protecting the world's most valuable liquid asset... water!

**CON-SERV CORPORATION AUSTRALIA PTY. LTD.**  
17 Glentanna Street, Kedron · Qld. 4031 Australia  
Phone: +61 (0)7 3630 5744 · Fax: +61 (0)7 3630 5755  
Email: [mail@con-serv.com.au](mailto:mail@con-serv.com.au) · [www.con-serv.com.au](http://www.con-serv.com.au)